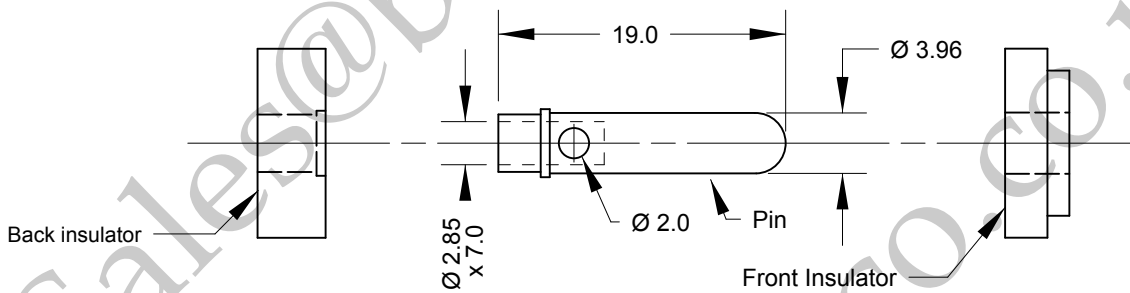
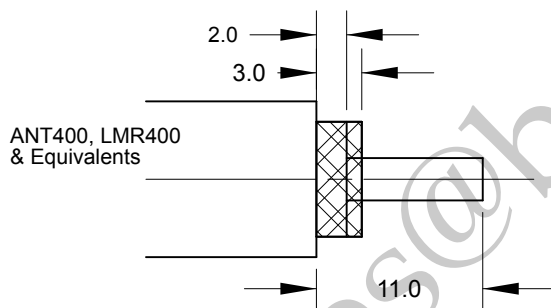


Cable : ANT400, LMR400 & Equivalents

Pin and insulator arrangement



Cable Preparation



ANT400 & LMR400

Construction Specifications

Inner Conductor 2.74mm
 Dielectric 7.24mm
 Outer Conductor 7.39mm
 Overall Braid 8.13mm
 Jacket 10.29mm

	PART	DESCRIPTION
1	Shell/Body	Brass, CuSnZn3 Plated
2	Insulator	Teflon
3	Pin Contact	Brass, Gold Plated
4	Nut	Brass, CuSnZn3 Plated
5	Neoprene	White or semi translucent

BARENCO Ltd

DRAWN Name	B. Gell	UHF plug clamp for ANT400, LMR-400	
Dimensions: mm			
Date	20/07/2020	SIZE	DWG NUMBER
Last Rev.		A4	165430
SCALE	1 : 0.5	REV	-
		SHEET 1 OF 1	

Barenco Ltd

Unit 14 Winterbeck Ind. Est. Orston Lane, Bottesford, Nottinghamshire NG13 0AU. Tel. 0(44)1949 860400
 Email.Sales@barenco.co.uk. Web.www.barenco.co.uk