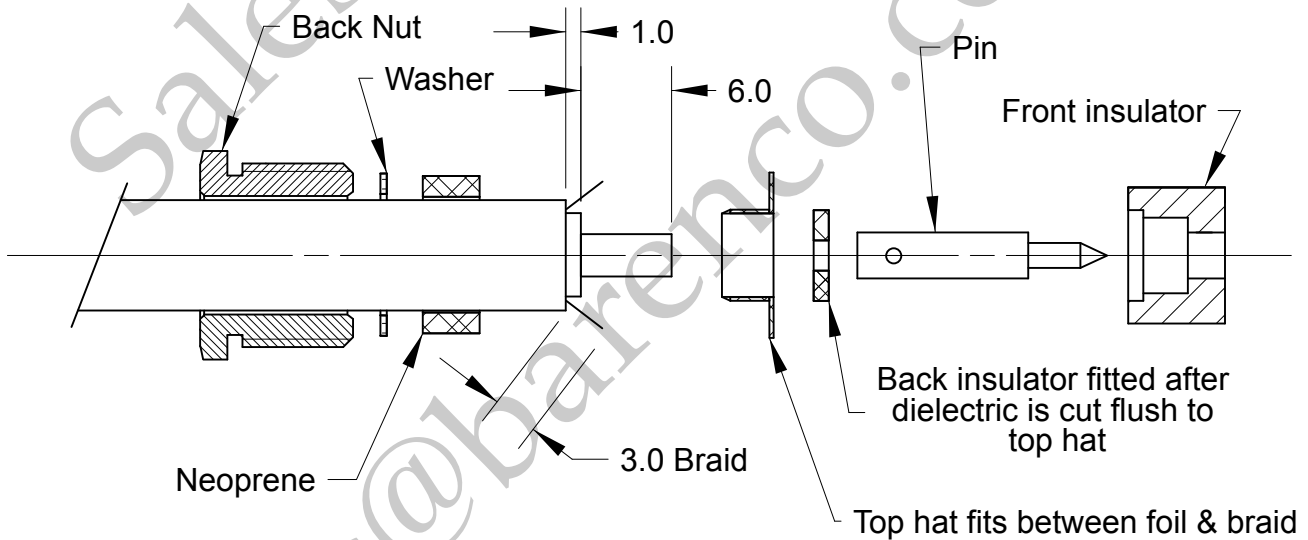


Cable : Aircell 7, LMR300, ANT300 & Equivalents  
 Centre conductor crimp hex : 0.1" ( 2.54mm )

### Connector Preparation & Assembly



Cable: Times Microwave LMR-300

Construction Specifications  
 Inner Conductor 1.78mm  
 Dielectric 4.83mm  
 Outer Conductor 4.98mm  
 Overall Braid 5.72mm  
 Jacket 7.62mm

	PART	DESCRIPTION
1	Shell/Body	Brass, CuSnZn3 Plated
2	Insulator	Teflon
3	Pin Contact	Brass, Gold Plated

### BARENCO Ltd

DRAWN Name	B. Gell	'N' plug Aircell 7, LMR-300 coax	
Dimensions: mm			
Date	13/08/2018	SIZE	DWG NUMBER
Last Rev.		A4	168050
SCALE	1 : 0.5	REV	-
		SHEET 1 OF 1	

### Barenco Ltd

Unit 14 Winterbeck Ind. Est. Orston Lane, Bottesford,  
 Nottinghamshire NG13 0AU. Tel. 0(44)1949 860400  
 Email.Sales@barenco.co.uk Web.www.barenco.co.uk