

BE1863YL, BE1863GY,
BE2592YL & BE2592GY

BE1863YL & GY

Overall closed 1.8 metres
Overall extended 6.3 metres
Weight 3.4 Kg Approx.

BE2592YL & GY

Overall closed 2.5 metres
Overall extended 9.2 metres
Weight 4.6 Kg Approx.

All sections have a 2mm wall thickness

All masts have over extension stops
on each section to ensure safe working.

Vertical head-load not to exceed 6 KG
this is the vertical load the mast cam sections
can support, but are adjustable with a turn
of the nut opposite the cam lever, this is
subject to the mast being fully guyed.
Note: Over tightening the cam nut will
break the cam body.

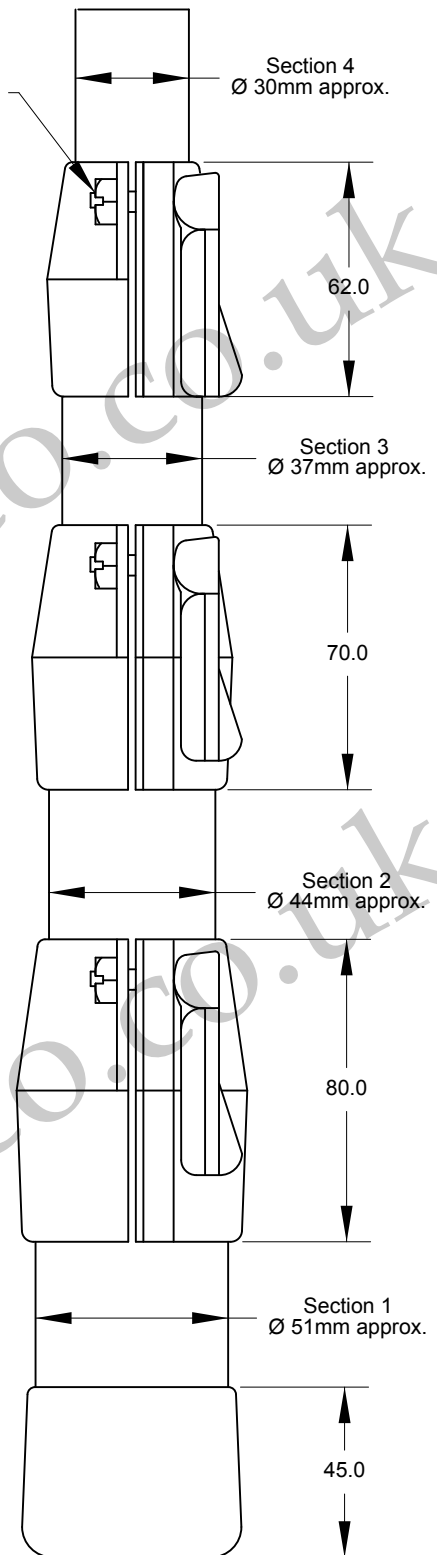
All masts have the same 4 sections with each
section length determines its overall height.

The top section can have a cap fitted to
reduce rainwater entry and this is available
as order code BE973 - 1.1/8" charged and
ordered separately.

Base cap can be removed and replaced
with an internal cover cap available as
order code BE985 - 2" charged and ordered
separately. This will be required if using in
a 2" socket cap.

Rotatable guy rings are available for all sections
and manufactured from Aluminium and HDPE.
Each guy ring can be purchased with order code
BE620/plus the section diameter with 1mm added.
i.e. for the top section of 30mm - BE620/31.
A full set of 3 order code BE620-T-KIT.
Note: To fit the guys onto the two middle sections
they will need to be separated and reassembled
around the mast.

Cam tension adjustment.
Note. Left hand thread.
(Anti-clock to tension)



Barenco Ltd

Barenco Ltd

Unit 14 Winterbeck Ind. Est. Orston Lane, Bottesford,
Nottinghamshire NG13 0AU Tel. 01949 860400
Email. Sales@barenco.co.uk Web. www.barenco.co.uk

DRAWN Name BPG

Dimensions: mm

Date 24/05/2021

Last Rev.

SCALE 2 : 1

Telescopic mast
section sizes

SIZE

A4

DWG NUMBER

BE1863/2592

REV -

SHEET 1 OF 1